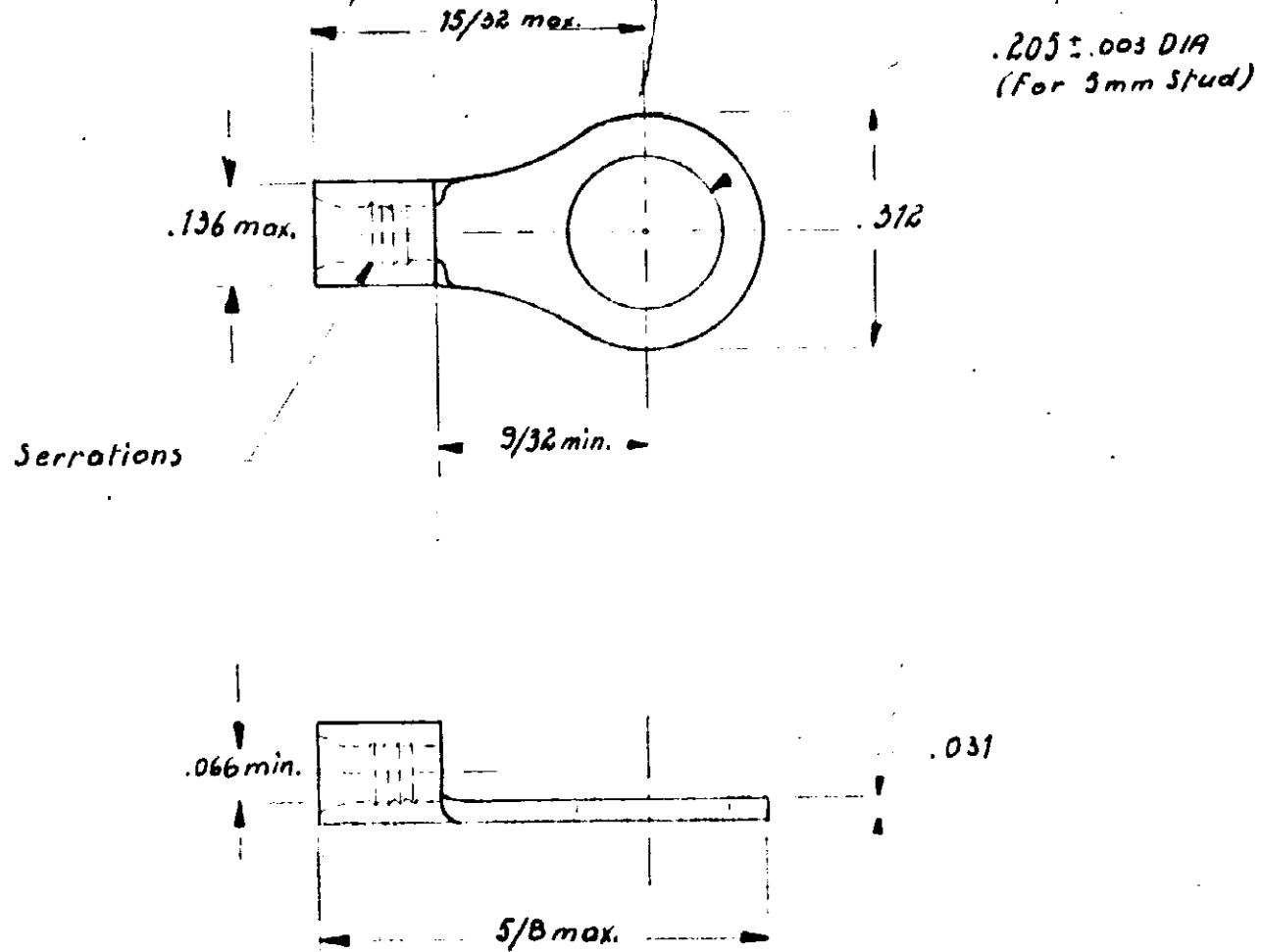


NUMBER **C.130011**

DIMENSIONS IN INCHES—DO NOT SCALE PRINT



CUSTOMER PRINT
FOR REFERENCE ONLY

© 1959 BY AMP INCORPORATED. ALL RIGHTS RESERVED. AMP PRODUCTS COVERED BY PATENTS AND/OR PATENTS PENDING.

-9	-8	-7	-6	-5	-4	-3	-2	-1	DWG SIZE	NUMBER	NAME	REMARKS	ITEM NO.		
REQUIRED PER ASSEMBLY									MATERIAL	HEAT TREAT	FINISH				
									Copper	Annealed	Tin Plated				
									DR. GRANDT.	DATE APP. 7.11.67	DATE REL	DATE			
									CHK.	DATE APP. 1.17.61	DATE FIRST USED				
									TYPE SOLISTAND	PRINT DIST	LOC A	SIZE A	NUMBER C.130017	REV	
									SCALE 4:1	WIRE SIZE 22.16	CMA	NAME WIFE TERMINAL COMPLETE			
									MAX	MIN.					
DESCRIPTION															